

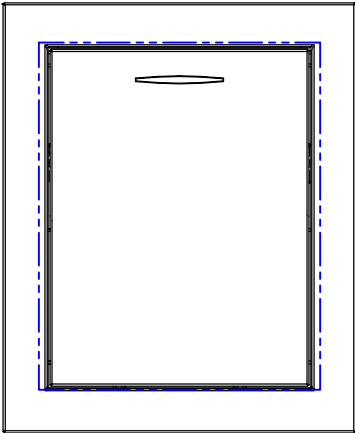
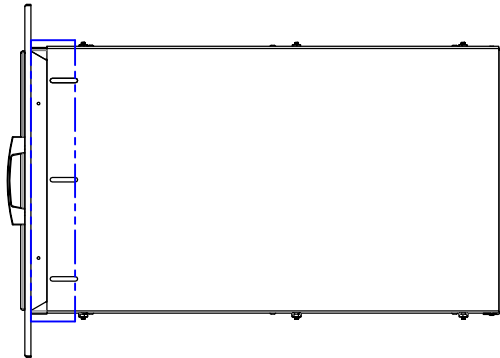
LAZYPAN DRAWER COMBINATION- 1 DRAWER TRASH BIN



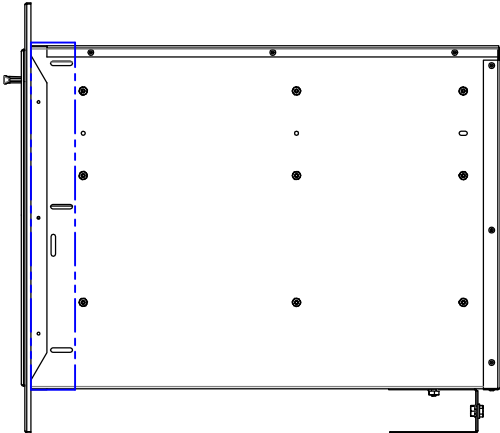
LAZYPAN DRAWER COMBINATION
1-DRAWER TRASH BIN
MODEL BI-DRW-1
ISLAND CUTOUT IN BLUE

SCALE: 1:1

TOP VIEW



FRONT VIEW

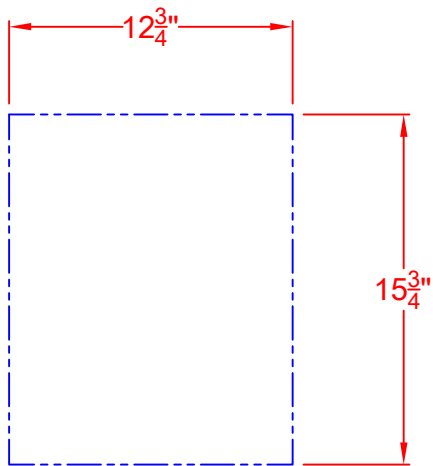
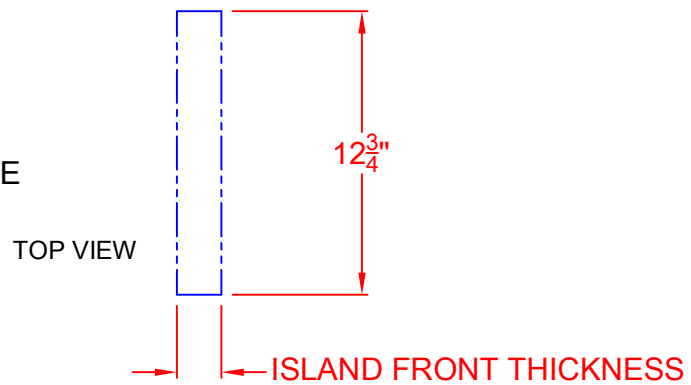


RIGHT SIDE VIEW

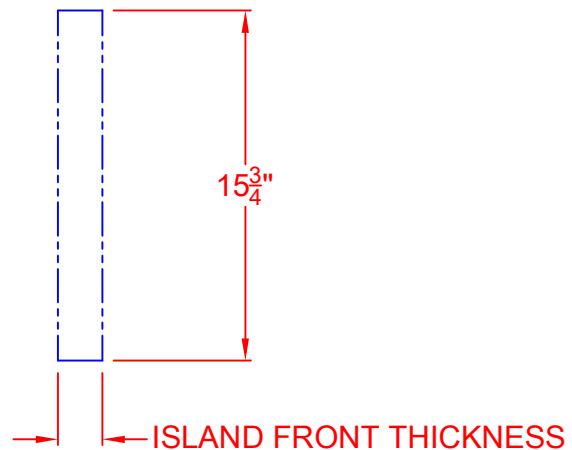


LAZYSMAN DRAWER COMBINATION
1-DRAWER TRASH BIN
MODEL BI-DRW-1
ISLAND CUTOUT
SCALE: 1:1

ALL DRAWER COMBINATIONS USE
THE SAME CUTOUT SIZE



FRONT VIEW



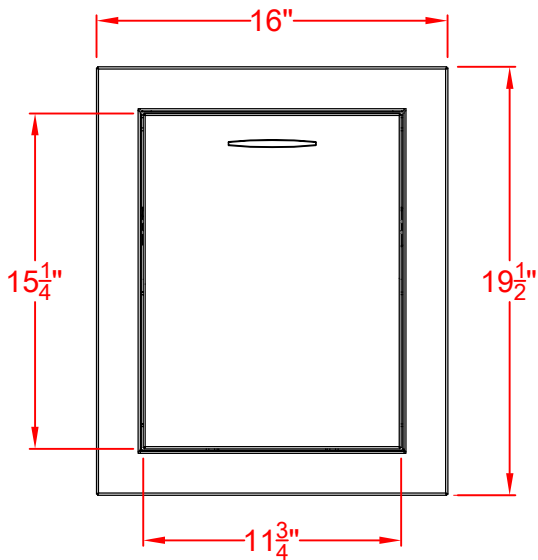
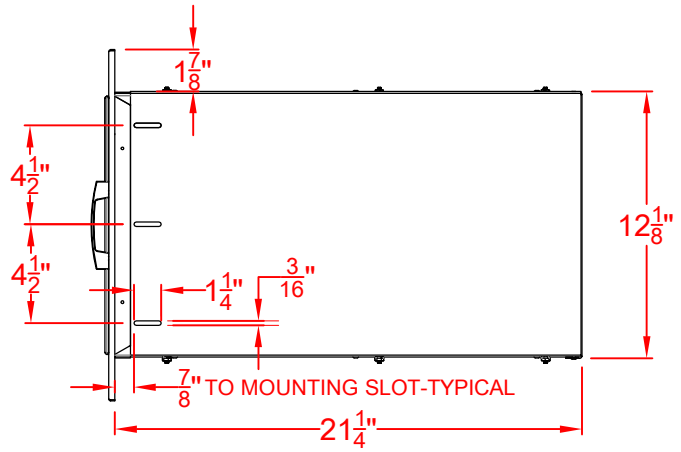
RIGHT SIDE VIEW



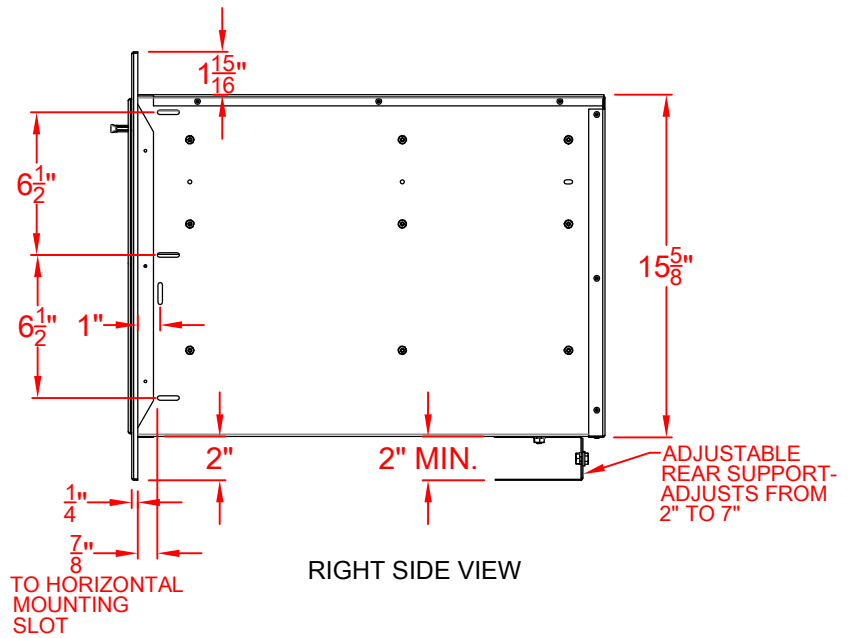
LAZYMEN DRAWER COMBINATION
1-DRAWER TRASH BIN
MODEL BI-DRW-1
WITH DIMENSIONS

SCALE: 1:1

TOP VIEW



FRONT VIEW



RIGHT SIDE VIEW