

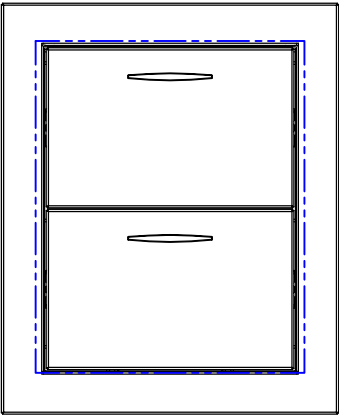
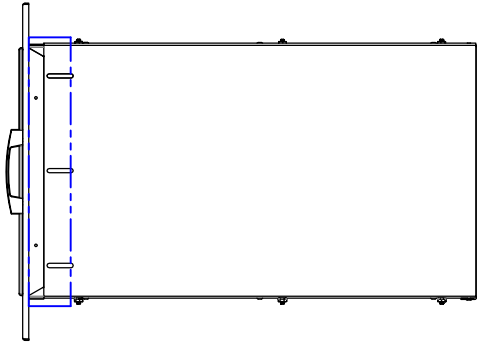
LAZYMEN DRAWER COMBINATION- 2 DRAWERS



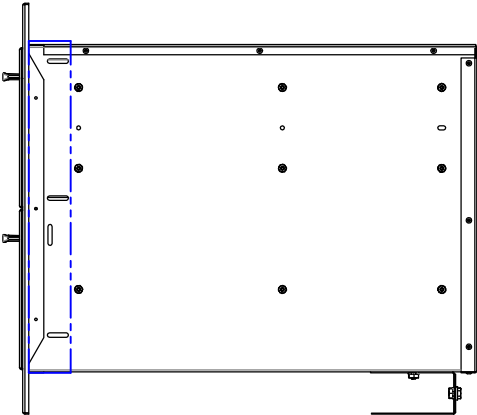
LAZYMEN DRAWER COMBINATION
2-DRAWERS
MODEL BI-DRW-2
ISLAND CUTOUT IN BLUE

SCALE: 1:1

TOP VIEW



FRONT VIEW

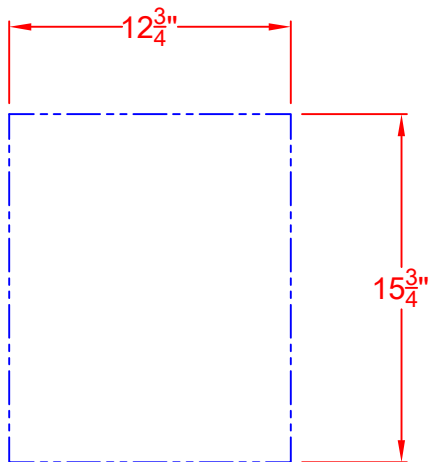
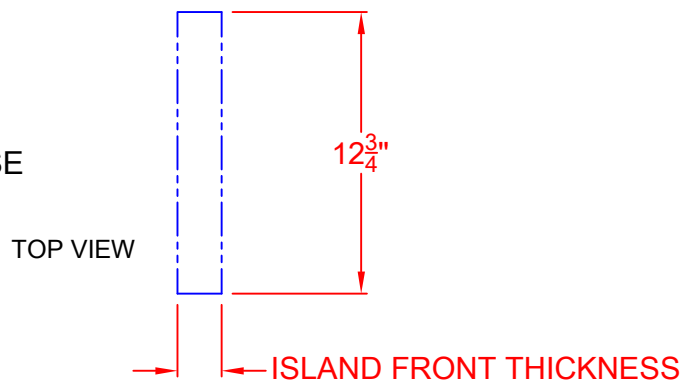


RIGHT SIDE VIEW

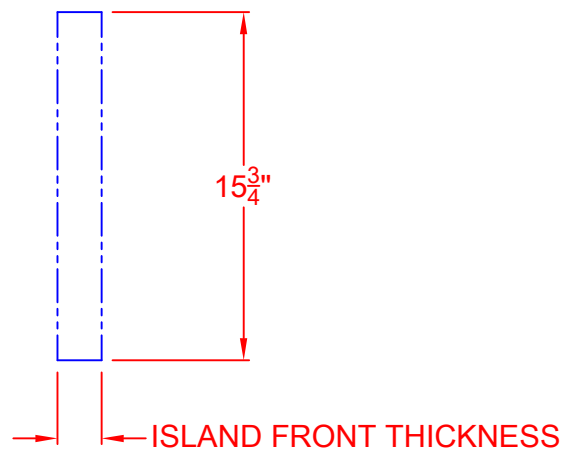


LAZYPAN DRAWER COMBINATION
2-DRAWERS
MODEL BI-DRW-2
ISLAND CUTOUT
SCALE: 1:1

ALL DRAWER COMBINATIONS USE
THE SAME CUTOUT SIZE



FRONT VIEW



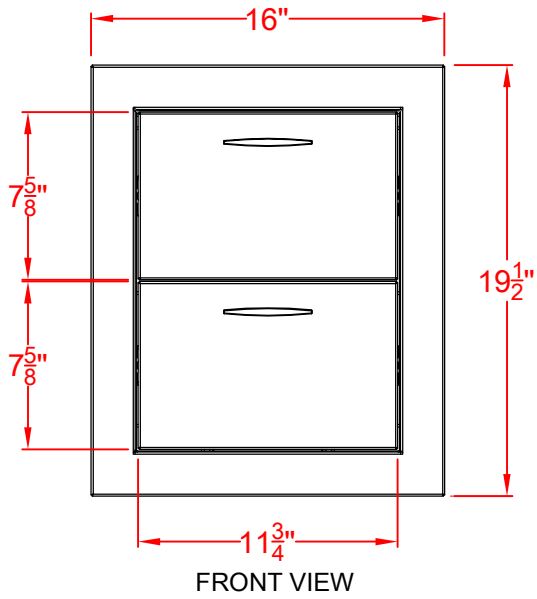
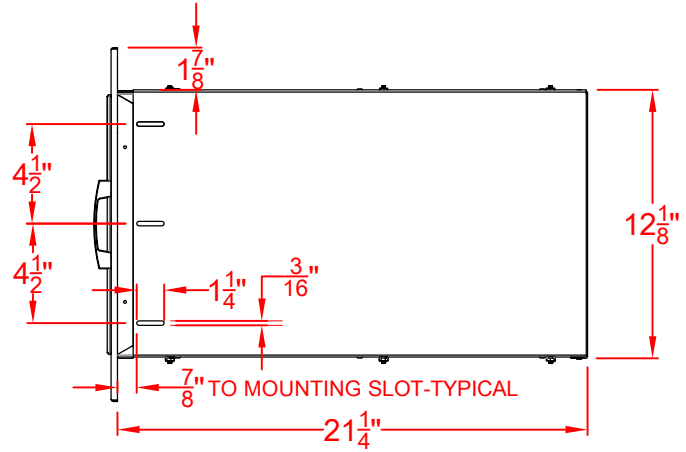
RIGHT SIDE VIEW



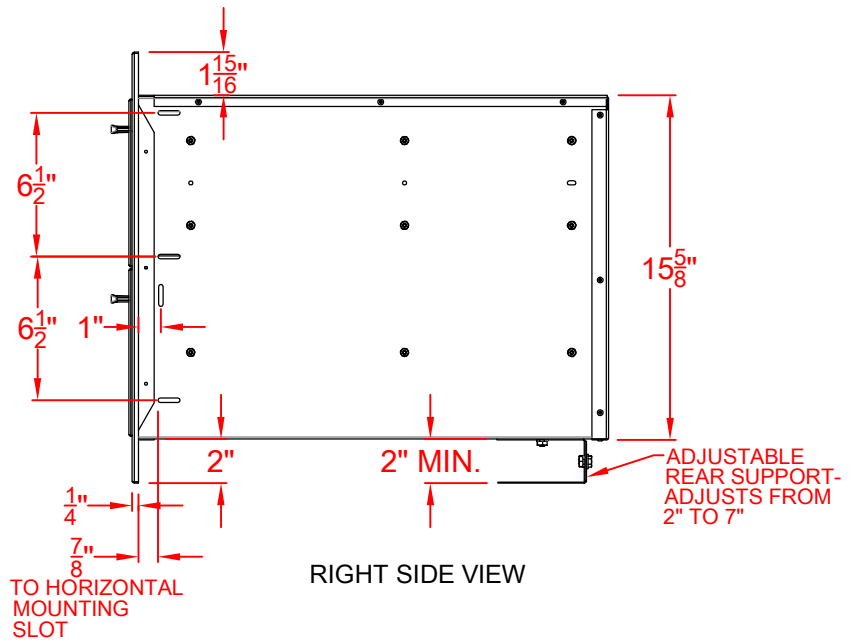
LAZYMEN DRAWER COMBINATION
2-DRAWERS
MODEL BI-DRW-2
WITH DIMENSIONS

SCALE: 1:1

TOP VIEW



FRONT VIEW



RIGHT SIDE VIEW