

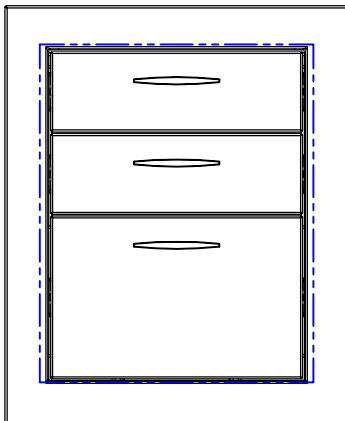
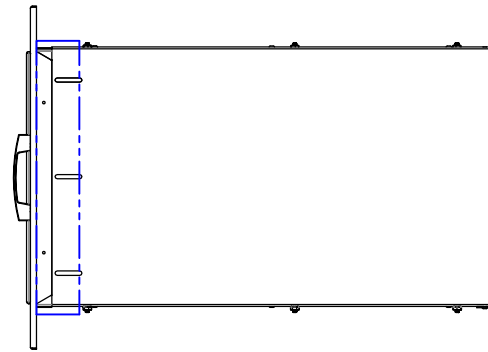
LAZYPAN DRAWER COMBINATION- 3 DRAWERS



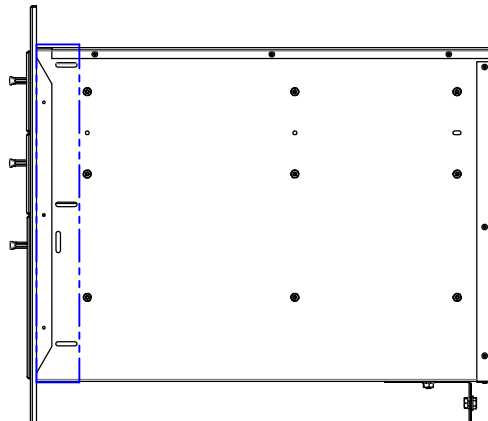
LAZYPAN DRAWER COMBINATION
3-DRAWERS
MODEL BI-DRW-3
ISLAND CUTOUT IN BLUE

SCALE: 1:1

TOP VIEW



FRONT VIEW



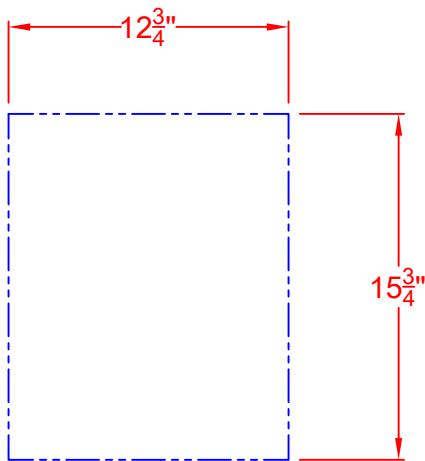
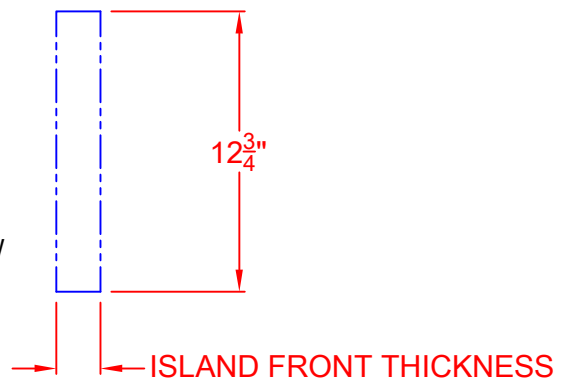
RIGHT SIDE VIEW



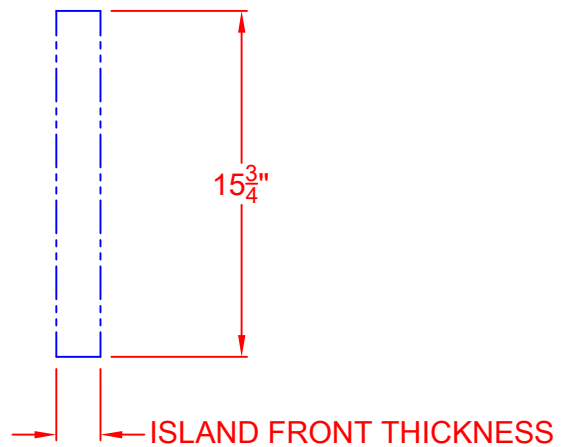
LAZYSMAN DRAWER COMBINATION
3-DRAWERS
MODEL BI-DRW-3
ISLAND CUTOUT
SCALE: 1:1

ALL DRAWER COMBINATIONS USE
THE SAME CUTOUT SIZE

TOP VIEW



FRONT VIEW



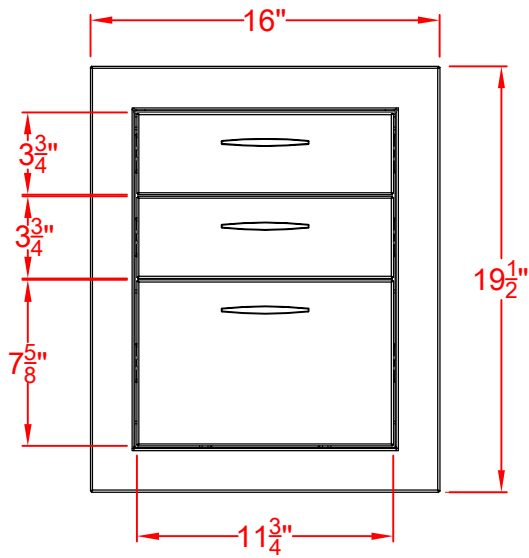
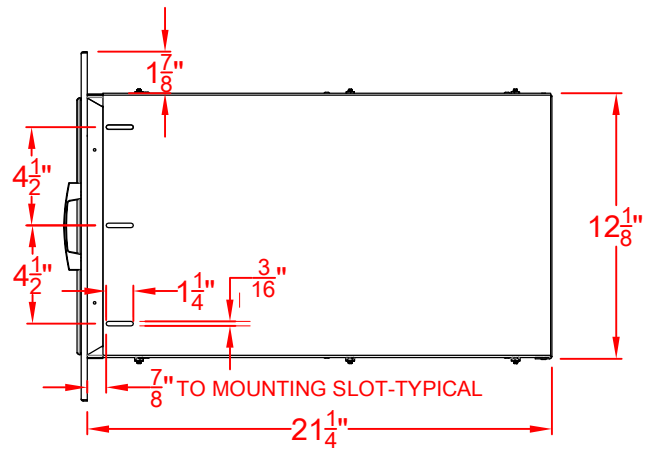
RIGHT SIDE VIEW



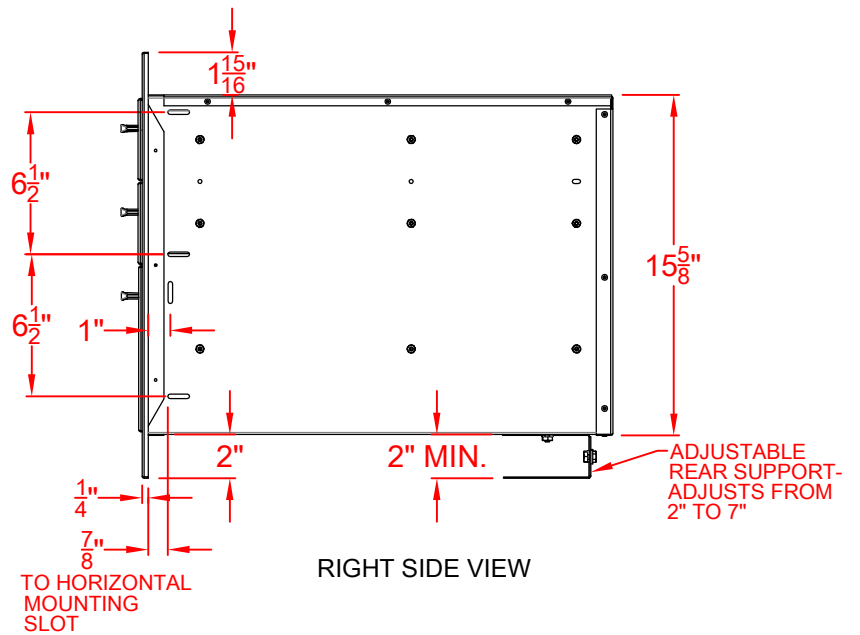
LAZYMEN DRAWER COMBINATION
3-DRAWERS
MODEL BI-DRW-3
WITH DIMENSIONS

SCALE: 1:1

TOP VIEW



FRONT VIEW



RIGHT SIDE VIEW

TO HORIZONTAL
MOUNTING
SLOT