

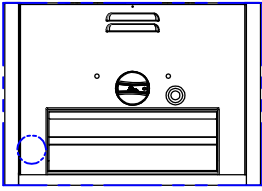
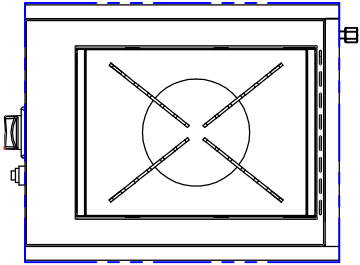
# LM210-20 + SSIK-20



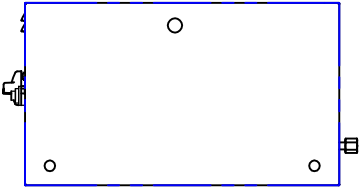
LAZYMEN LM210-20  
BUILT-IN BURNER  
WITH INSULATION PANELS  
SSIK-20  
ISLAND CUTOUT IN BLUE

SCALE: 1:1

TOP VIEW



FRONT VIEW



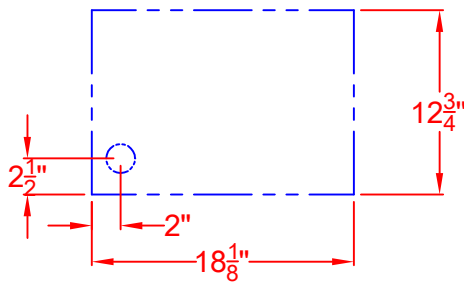
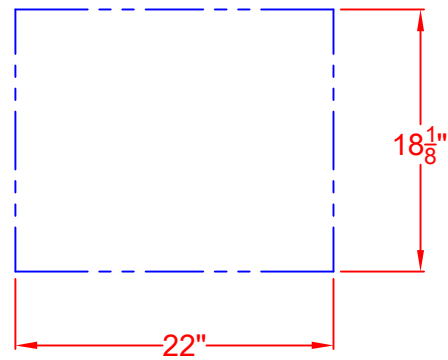
RIGHT SIDE VIEW



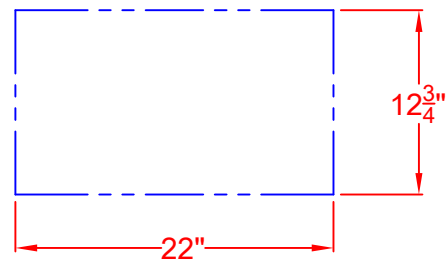
LAZYMEN LM210-20  
BUILT-IN BURNER  
WITH INSULATION PANELS  
SSIK-20  
ISLAND CUTOUT

SCALE: 1:1

TOP VIEW



FRONT VIEW



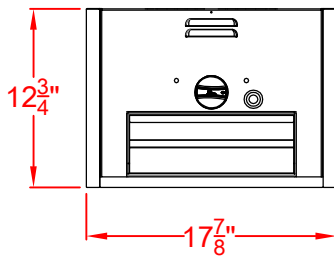
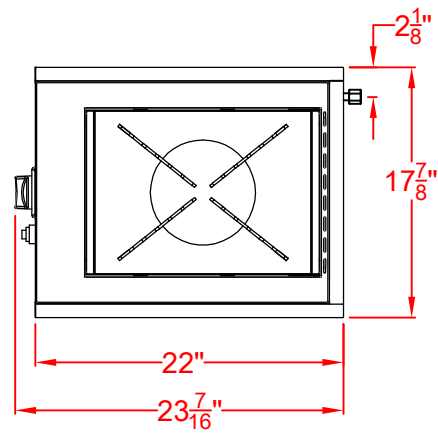
RIGHT SIDE VIEW



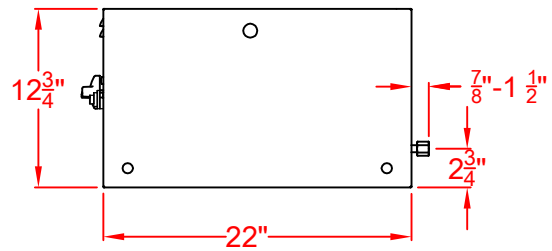
LAZYSMAN LM210-20  
BUILT-IN BURNER  
WITH INSULATION PANELS  
SSIK-20  
WITH DIMENSIONS

SCALE: 1:1

TOP VIEW



FRONT VIEW



RIGHT SIDE VIEW