

LM210-28 + SSIK-28

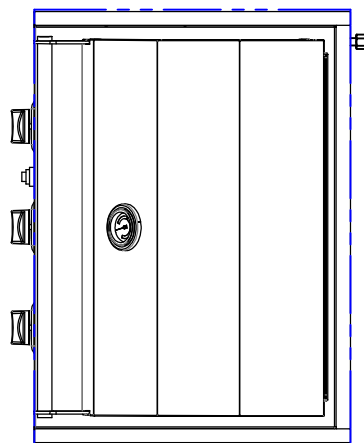


LAZYSMAN LM210-28
BUILT-IN GRILL
WITH INSULATION PANELS
SSIK-28

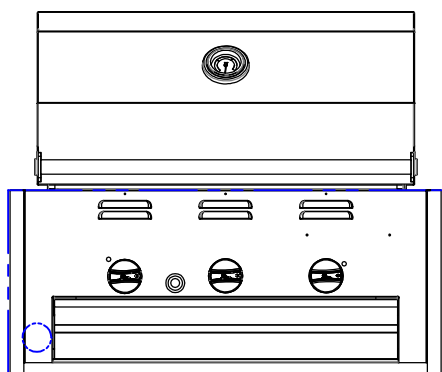
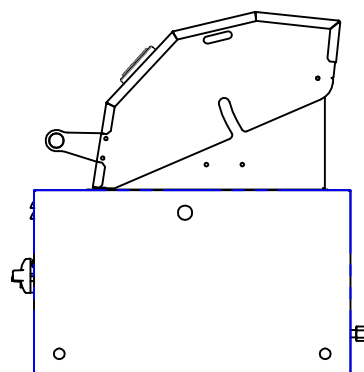
ISLAND CUTOUT IN BLUE

SCALE: 1:1

TOP VIEW



Standard Hood



FRONT VIEW

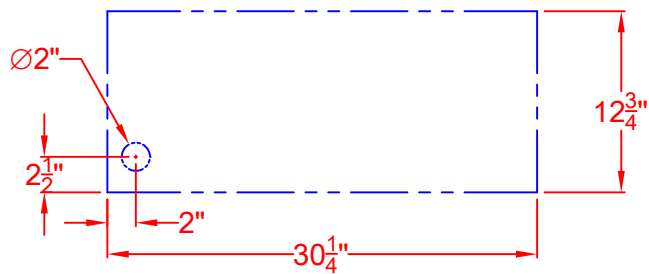
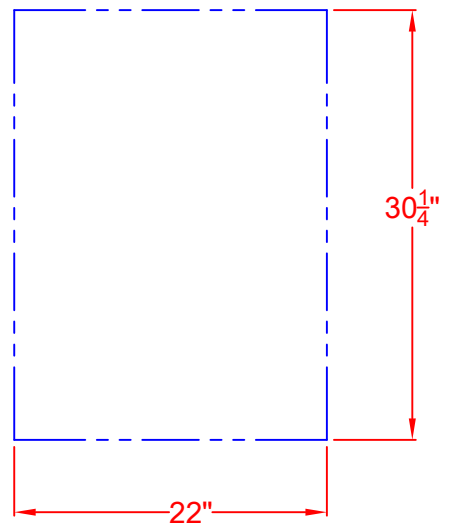
RIGHT SIDE VIEW



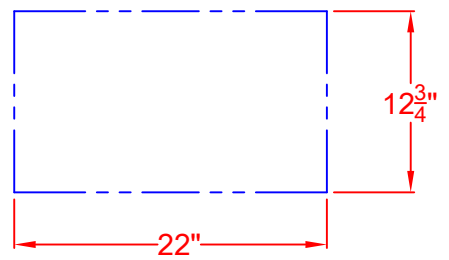
LAZYMEN LM210-28
BUILT-IN GRILL
WITH INSULATION PANELS
SSIK-28
ISLAND CUTOUT

SCALE: 1:1

TOP VIEW



FRONT VIEW



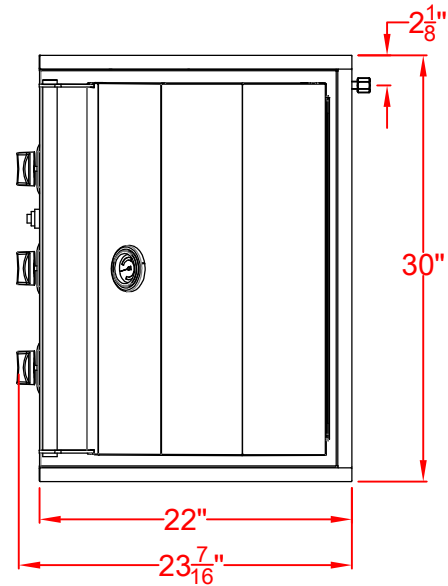
RIGHT SIDE VIEW



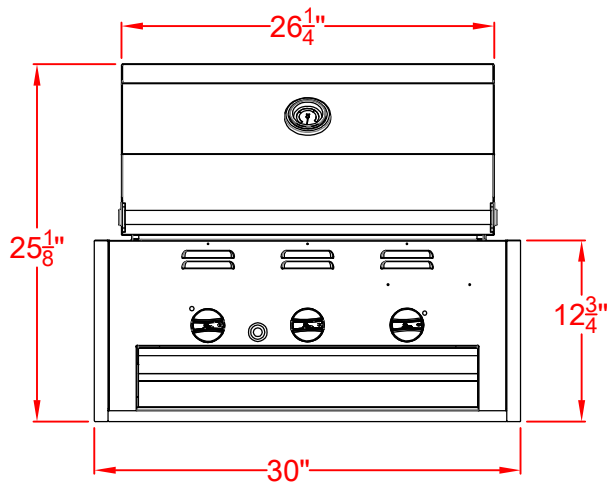
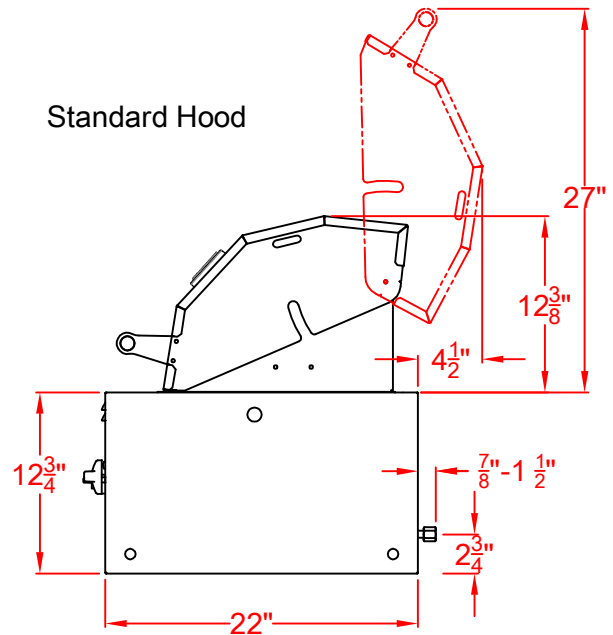
LAZYMEN LM210-28
BUILT-IN GRILL
WITH INSULATION PANELS
SSIK-28
WITH DIMENSIONS

SCALE: 1:1

TOP VIEW



Standard Hood



FRONT VIEW

RIGHT SIDE VIEW