

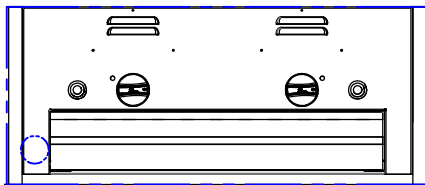
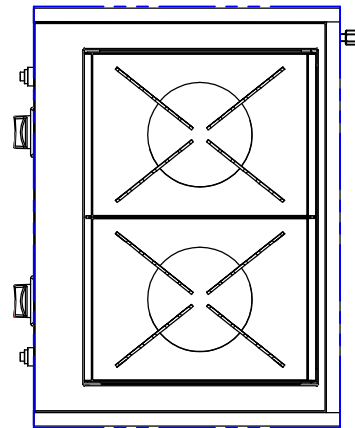
# LM210-30 + SSIK-30



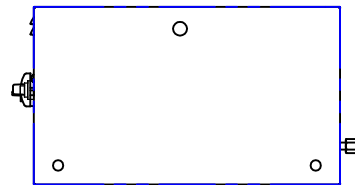
LAZYSMAN LM210-30  
BUILT-IN BURNER  
WITH INSULATION PANELS  
SSIK-30  
ISLAND CUTOUT IN BLUE

SCALE: 1:1

TOP VIEW



FRONT VIEW



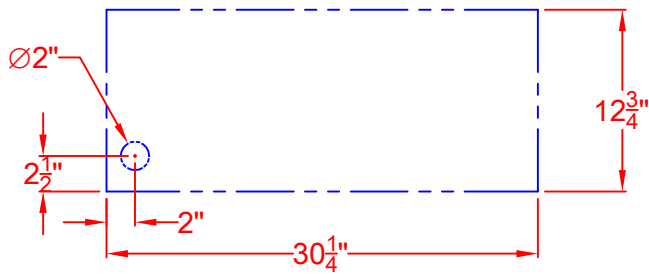
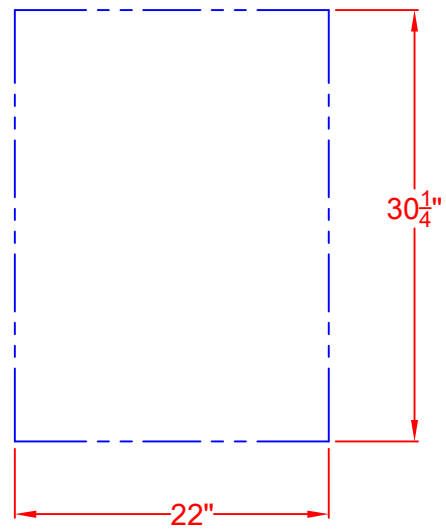
RIGHT SIDE VIEW



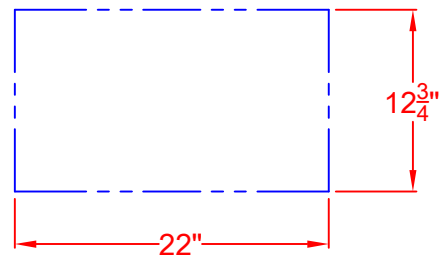
LAZYMEN LM210-30  
BUILT-IN BURNER  
WITH INSULATION PANELS  
SSIK-30  
ISLAND CUTOUT

SCALE: 1:1

TOP VIEW



FRONT VIEW



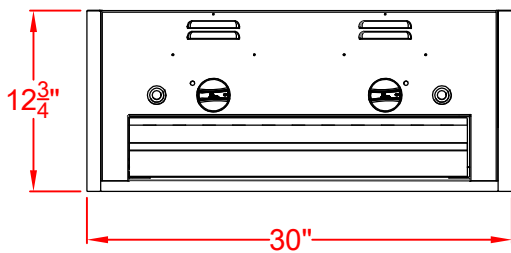
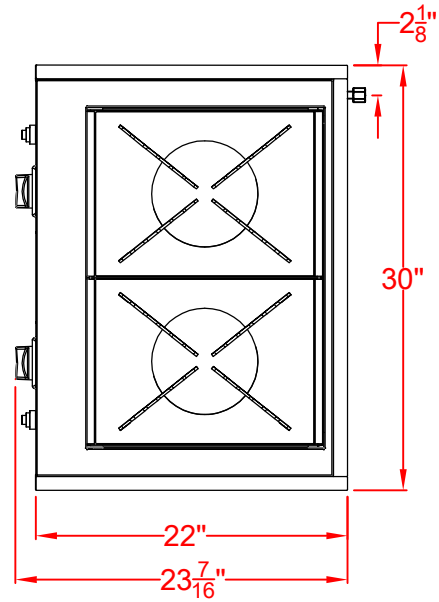
RIGHT SIDE VIEW



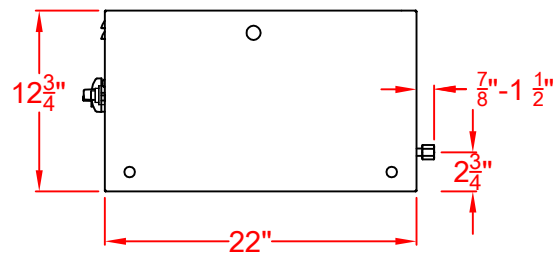
LAZYMEN LM210-30  
BUILT-IN BURNER  
WITH INSULATION PANELS  
SSIK-30  
WITH DIMENSIONS

SCALE: 1:1

TOP VIEW



FRONT VIEW



RIGHT SIDE VIEW