

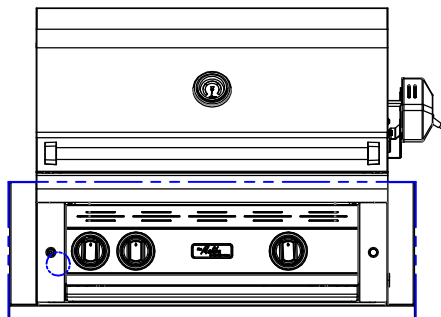
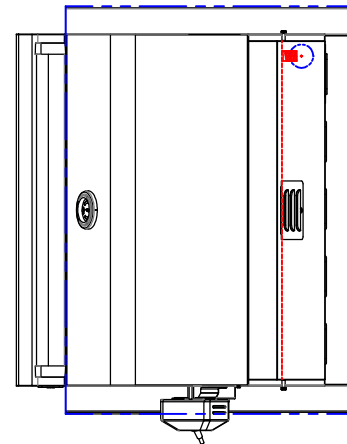
MALIBU 30" WITH INSULATION PANELS



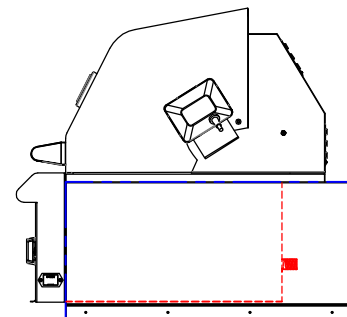
LAZYMAN MALIBU 30 IN.
BUILT-IN GRILL W/ INSULATION PANELS
LM30 SERIES + SSIK-30MBU
ISLAND CUTOUT IN BLUE

SCALE: 1:1

TOP VIEW



FRONT VIEW



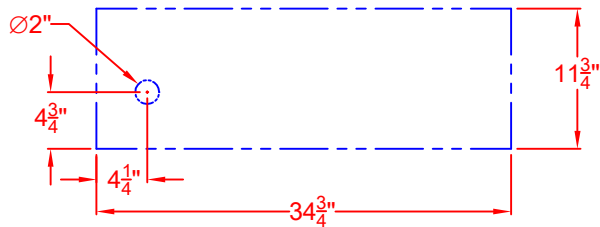
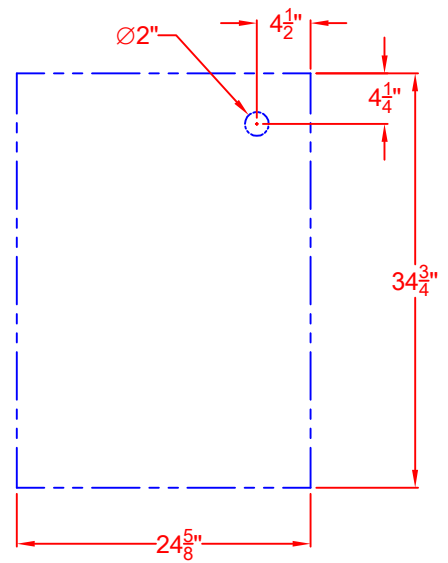
RIGHT SIDE VIEW



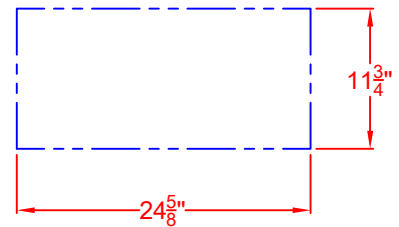
LAZYMEN MALIBU 30 IN.
BUILT-IN GRILL W/ INSULATION PANELS
ISLAND CUTOUT
LM30 SERIES + SSIK-30MBU

SCALE: 1:1

TOP VIEW



FRONT VIEW



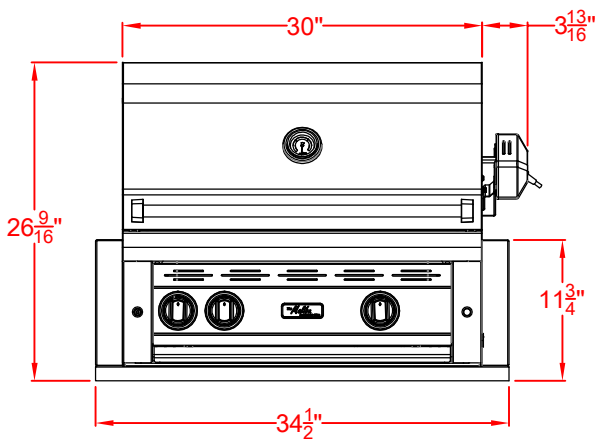
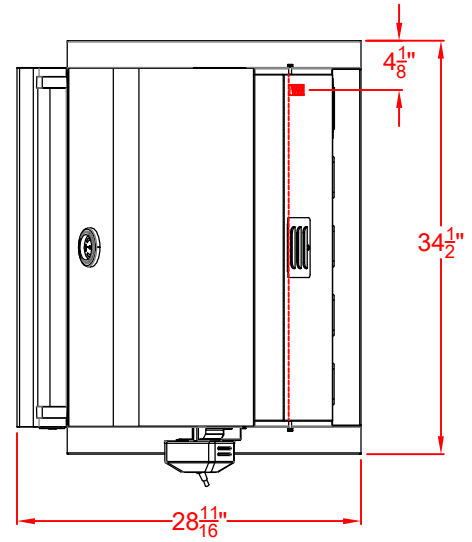
RIGHT SIDE VIEW



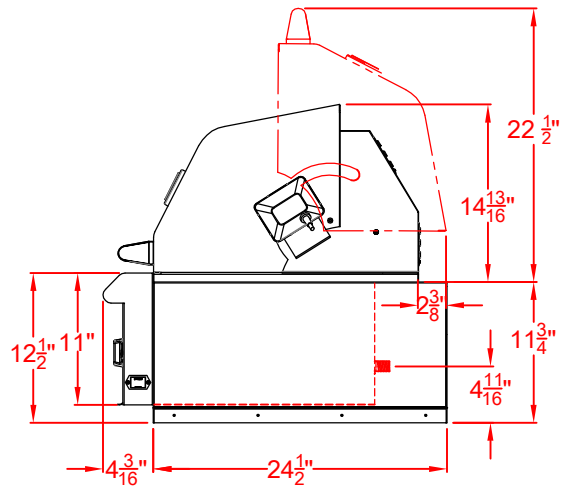
LAZYMEN MALIBU 30 IN.
BUILT-IN GRILL W/ INSULATION PANELS
WITH DIMENSIONS
LM30 SERIES + SSIK-30MBU

SCALE: 1:1

TOP VIEW



FRONT VIEW



RIGHT SIDE VIEW